

**209008-08CF**

**F** **L4530** **4.5x30 mm.** **x7**

**B** **8x30 mm.** **x20** **L3516** **3.5x16 mm.** **x16**

**C** **ø16 mm.** **x10** **R1** **x12**

**D** **x10** **R** **x8**

**E** **7x60 mm.** **x10** **T20** **ø20 mm.** **x10**

**209008-08CC**

**H2T** **x4**

**C0** **x4**

**L15** **4x15 mm.** **x8**

**209493-07GUI**

**CL** **x4**

**CR** **x4**

**DR** **x4**

**DL** **x4**

**209008-08SCFS**

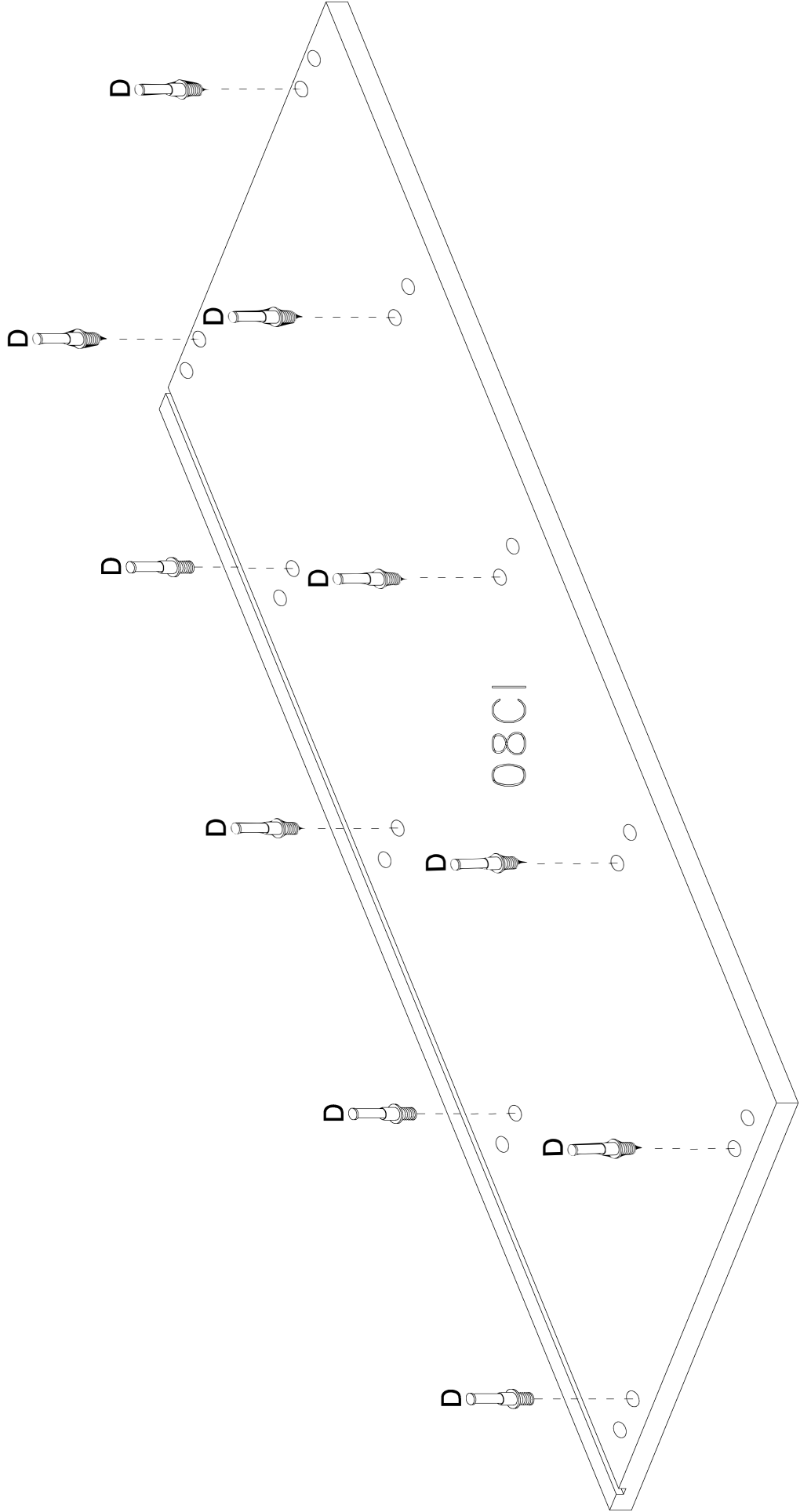
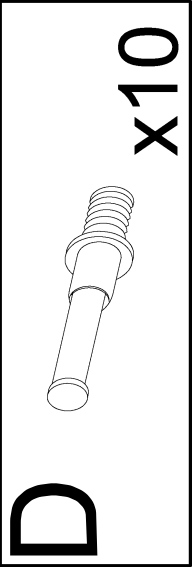
**C1** **ø12 mm.** **x16**

**D1** **x16**

**M9** **6x9 mm.** **x16**

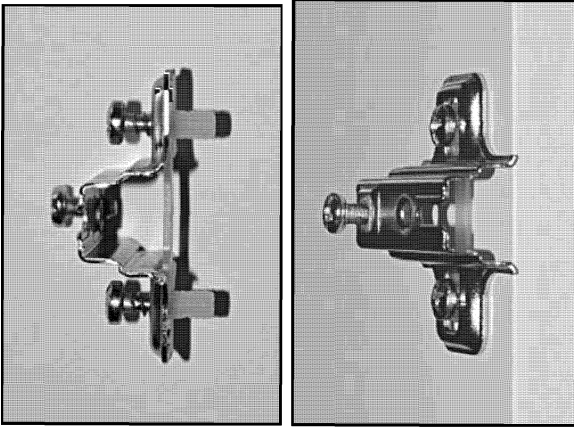
**205124-06PIE**

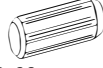
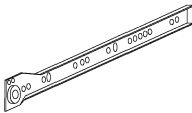

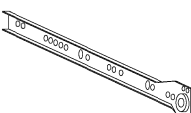

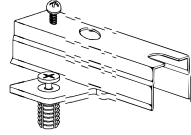

**F21** **ø 60 mm**  
**h 20 mm** **x7**

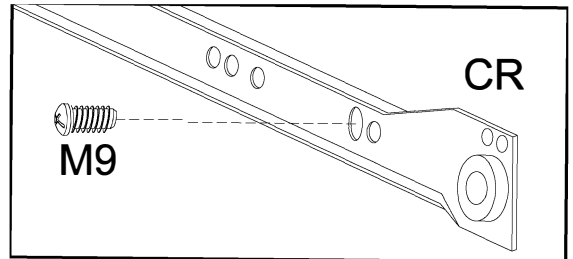
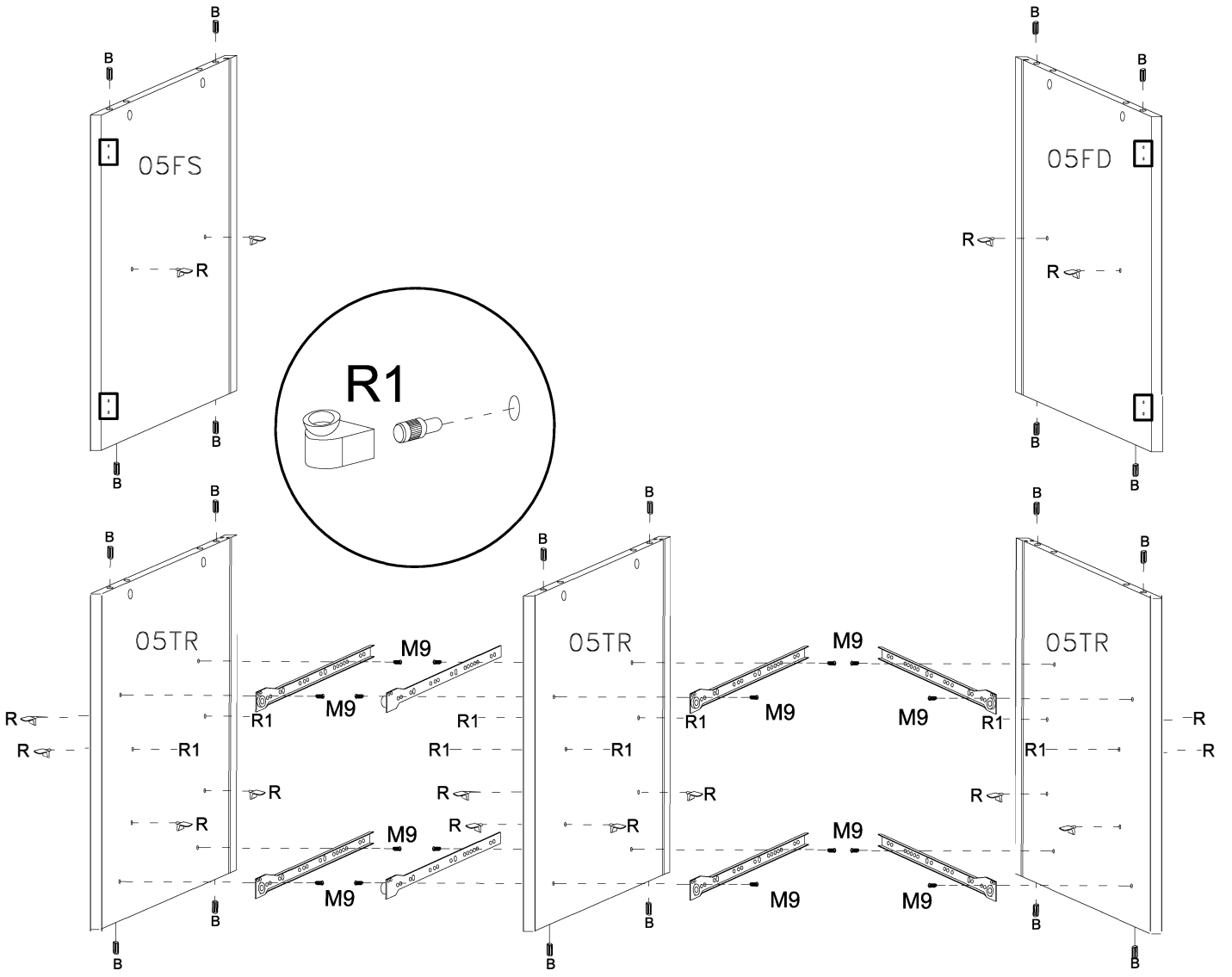


1


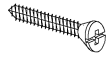
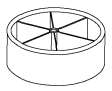
H2T

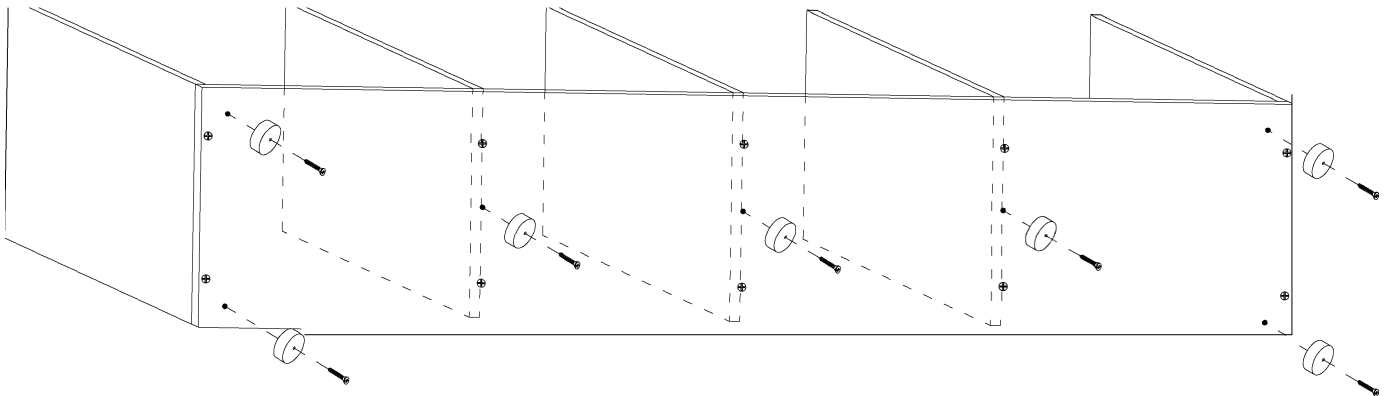
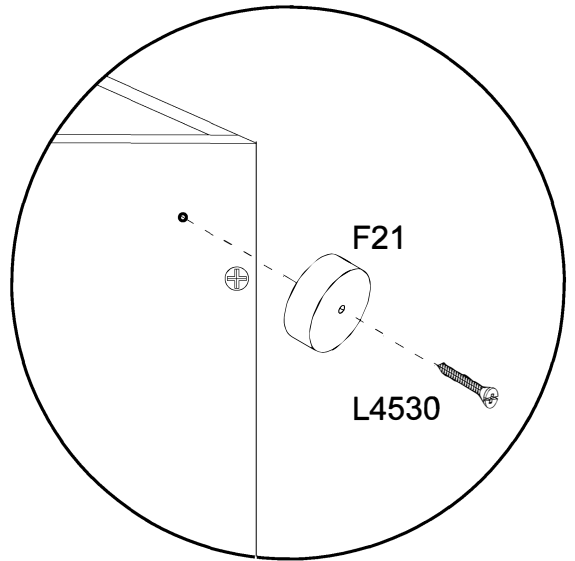
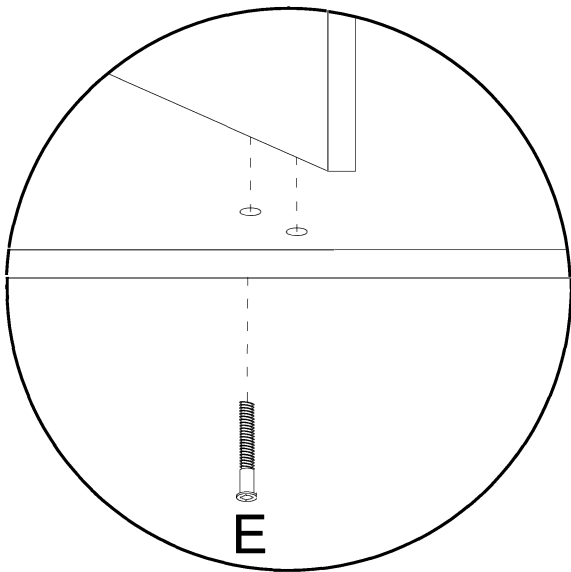
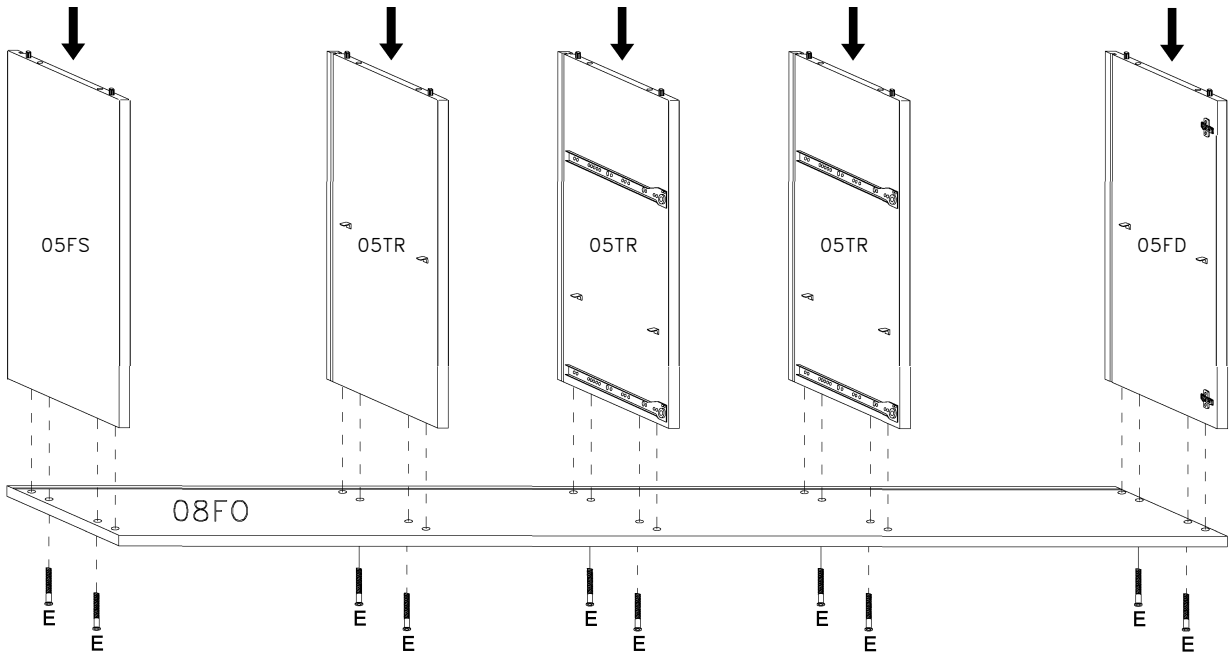


<b>B</b>	 8x30 mm.	<b>x20</b>	<b>CL</b>	 0 20 0 20 0 20 0 20 0 20	<b>x4</b>
<b>M9</b>	 6x9 mm.	<b>x16</b>	<b>CR</b>	 0 20 0 20 0 20 0 20 0 20	<b>x4</b>
<b>R</b>		<b>x16</b>	<b>H2T</b>		<b>x4</b>
<b>R1</b>		<b>x8</b>			

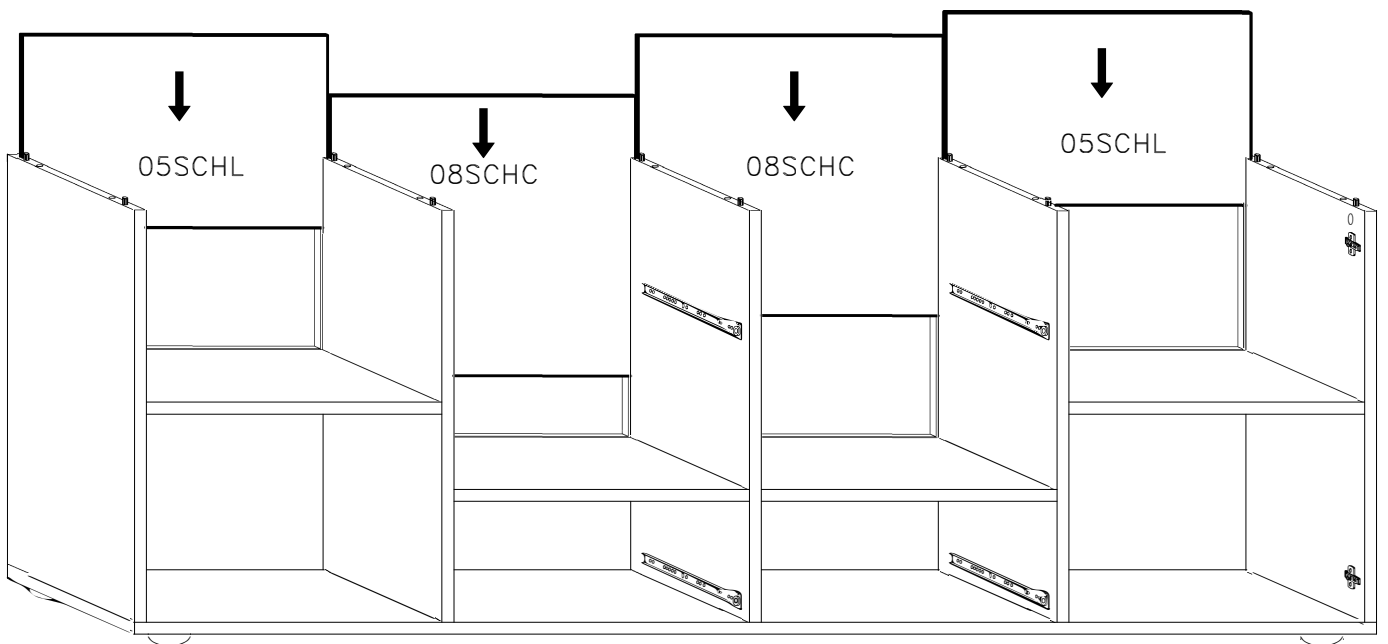
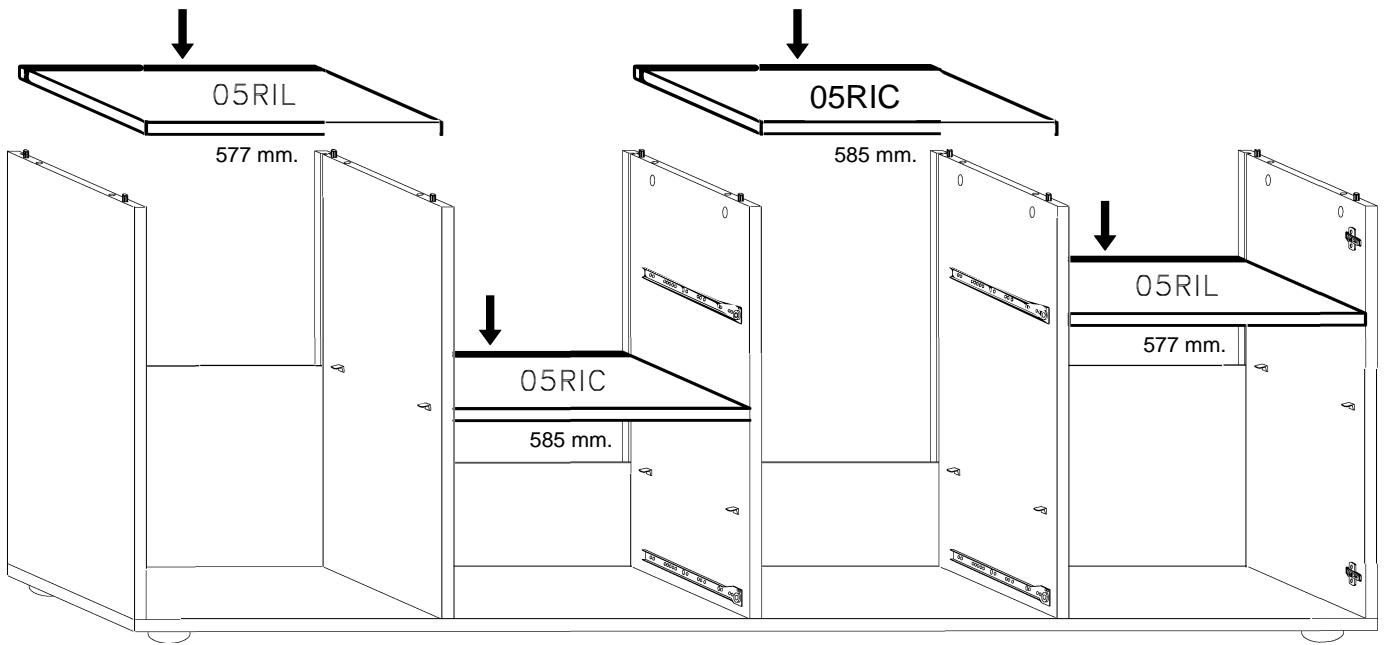
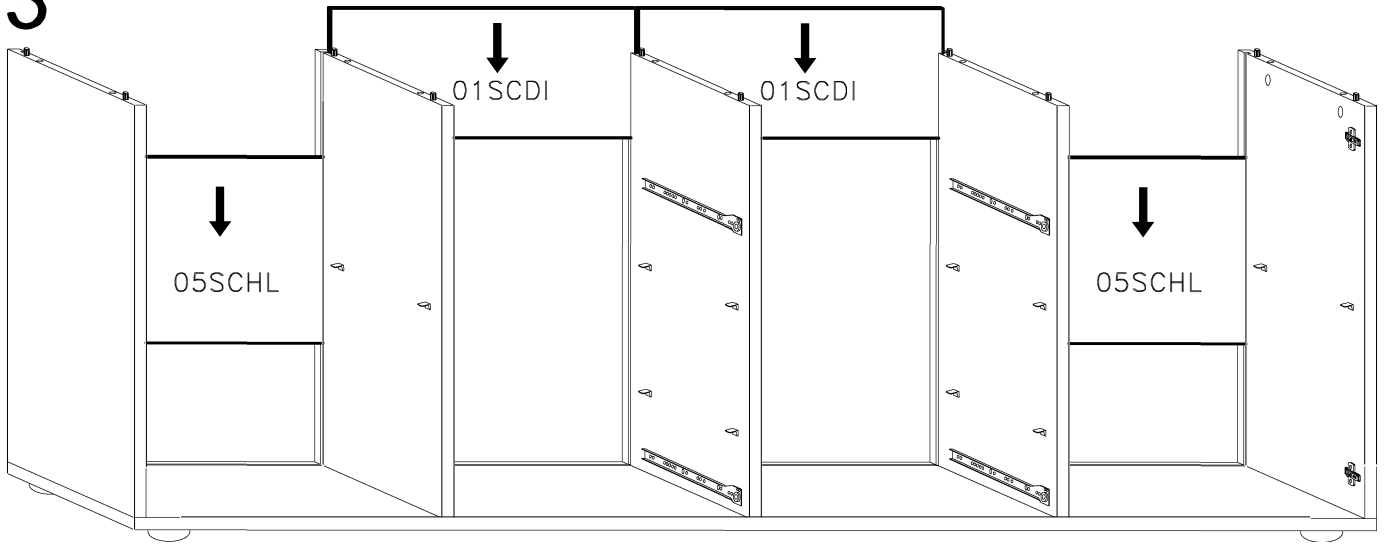


2

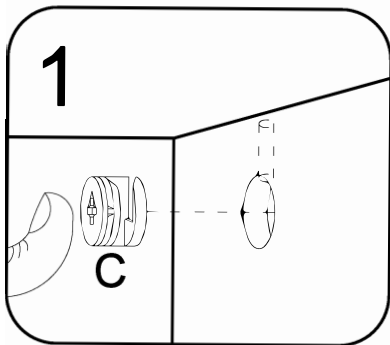
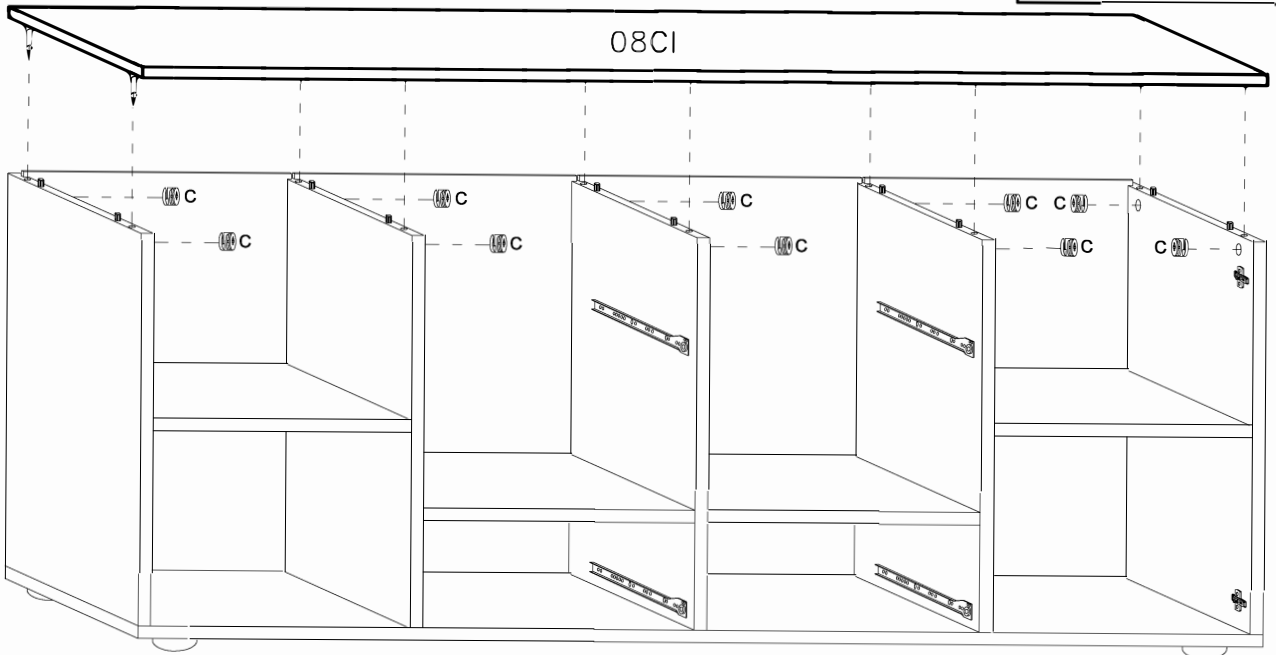
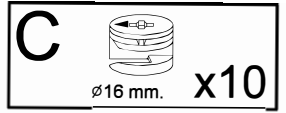
<p><b>E</b></p>  <p>7x60 mm. <b>x10</b></p>	<p><b>L4530</b></p>  <p>4.5x30 mm. <b>x7</b></p>	<p><b>F21</b></p>  <p>Ø 60 mm h 20 mm <b>x7</b></p>
---	---	---



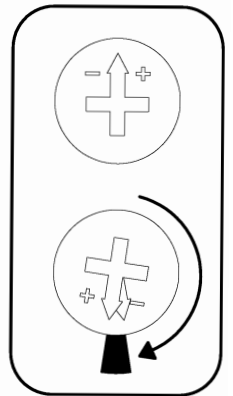
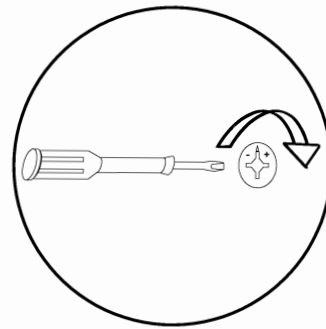
3



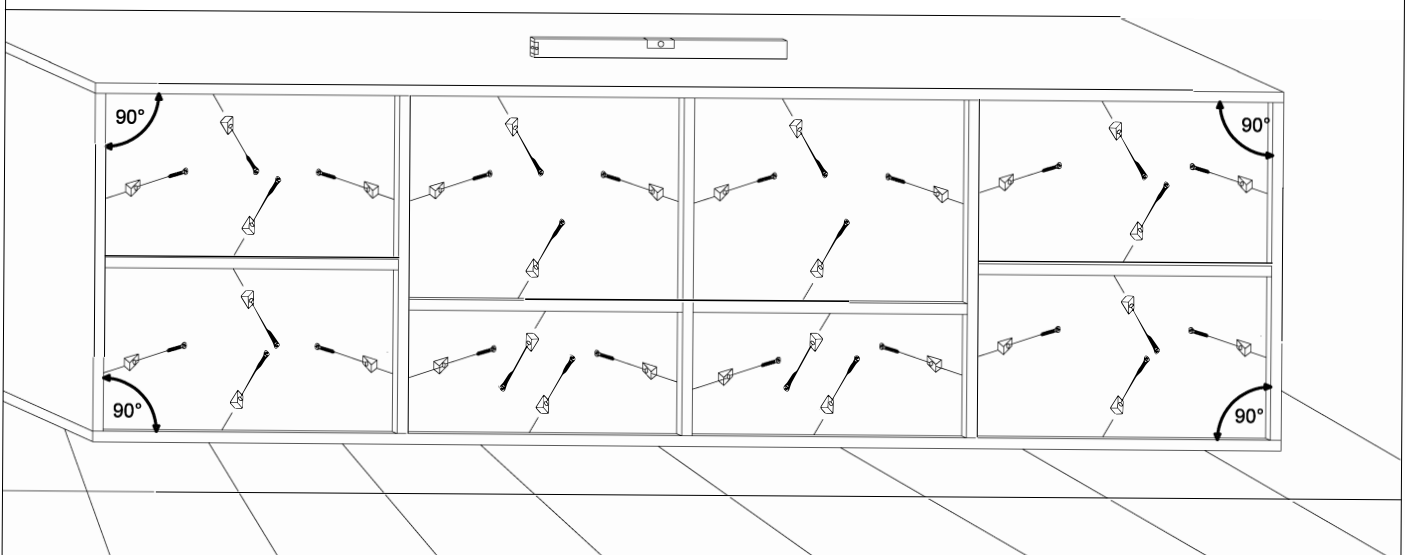
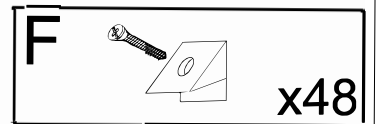
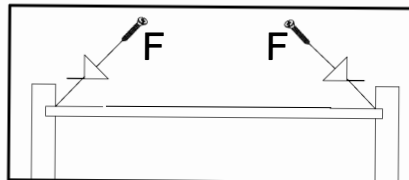
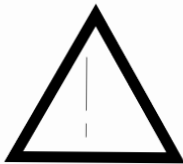
4



2

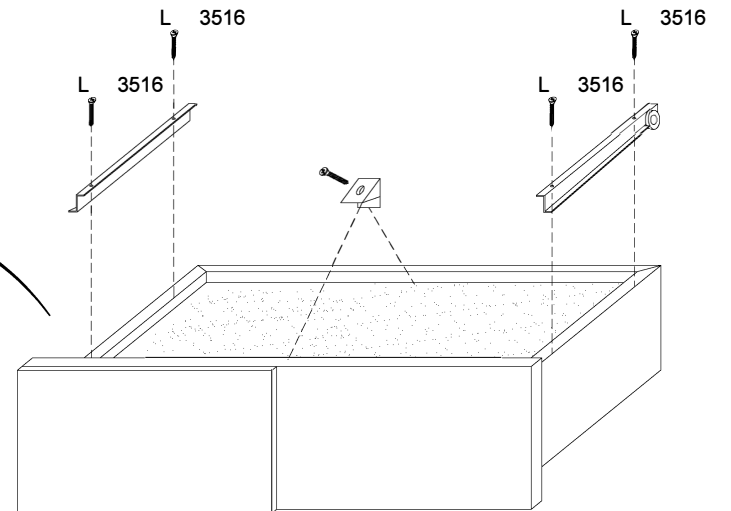
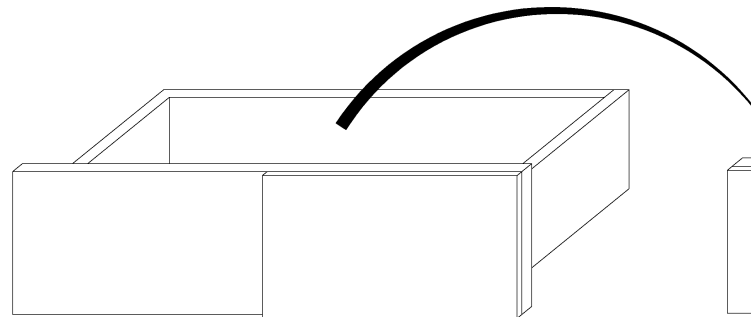
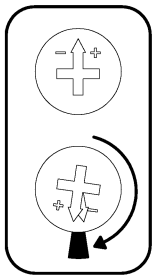
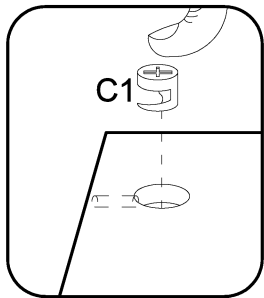
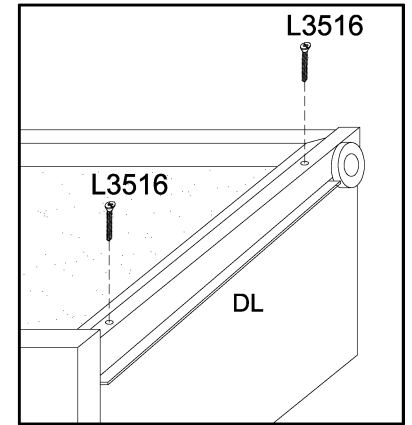
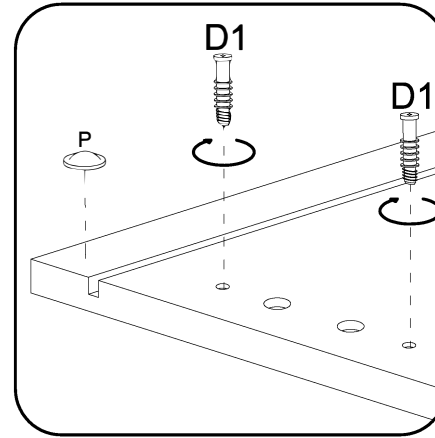
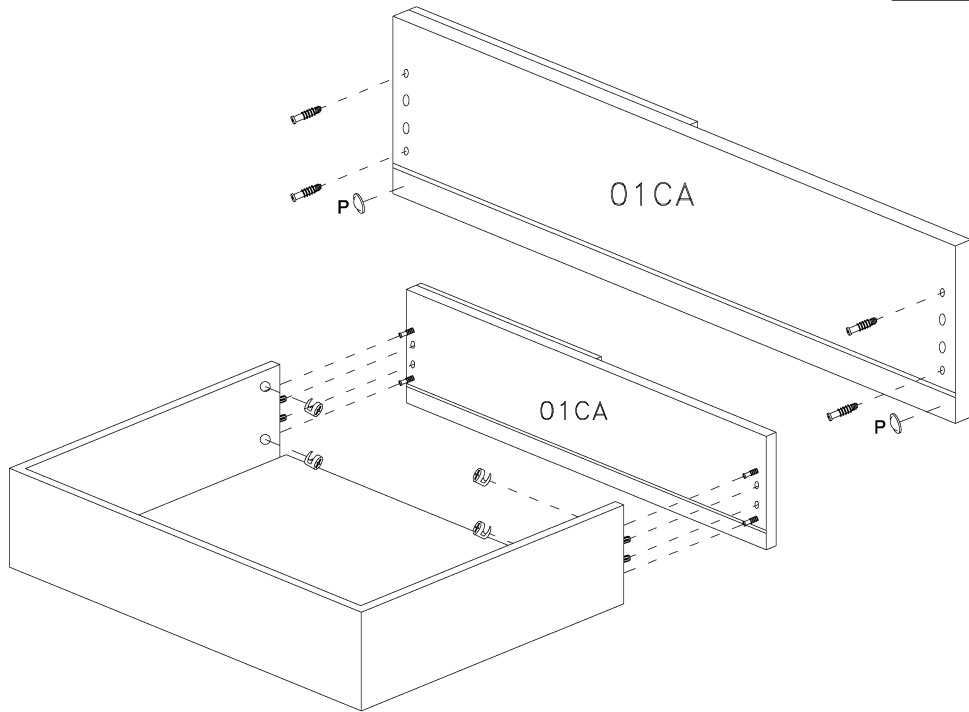
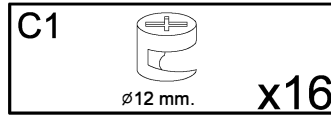
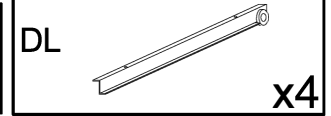
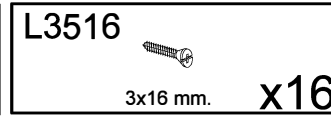
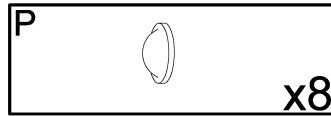
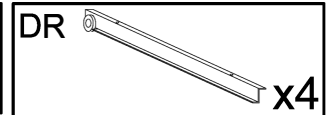
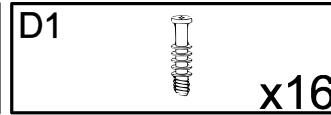
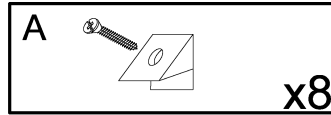
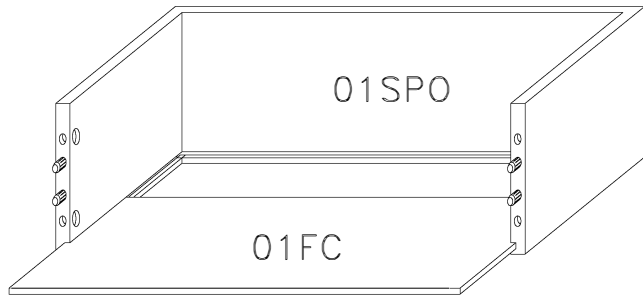


5

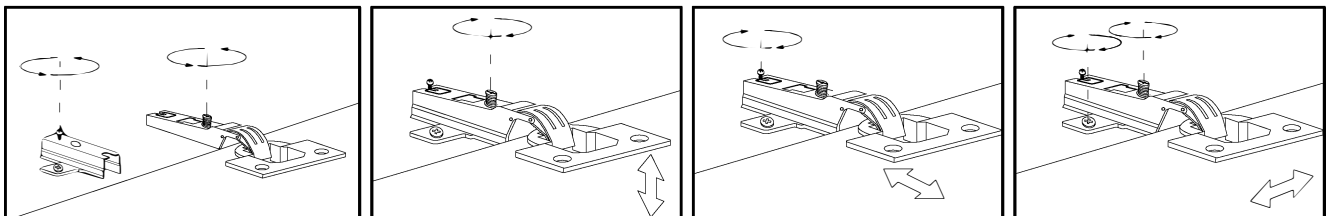
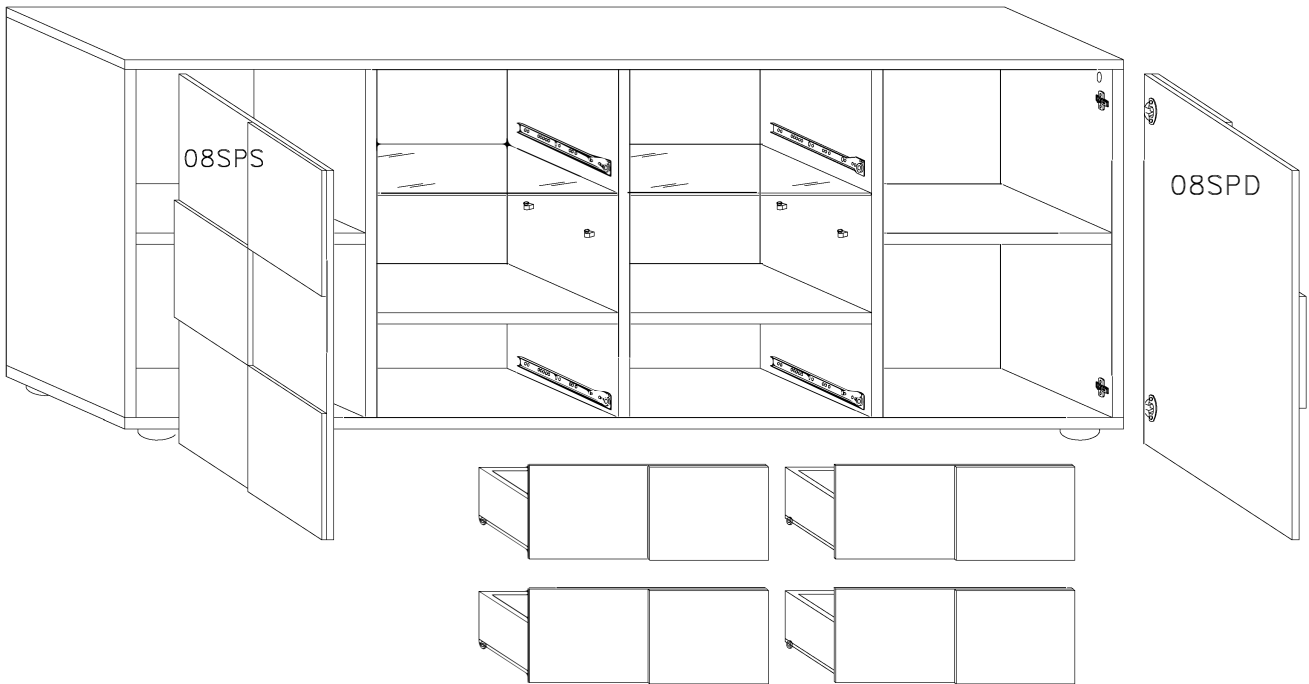
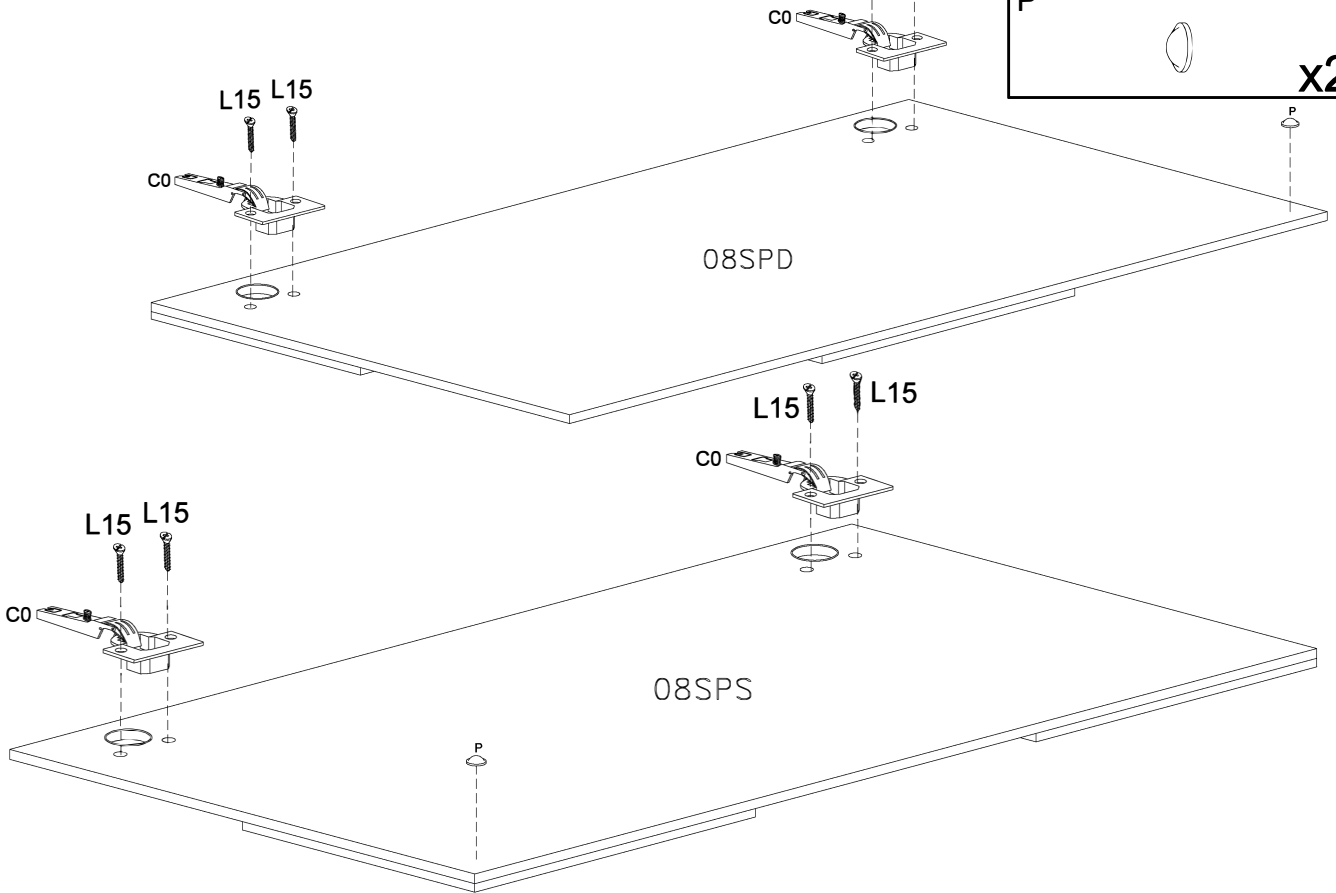
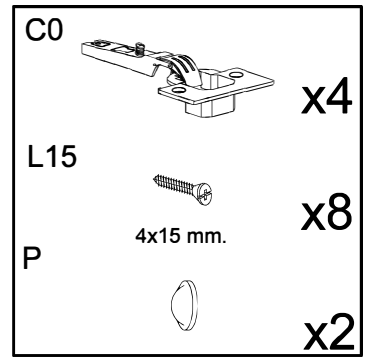
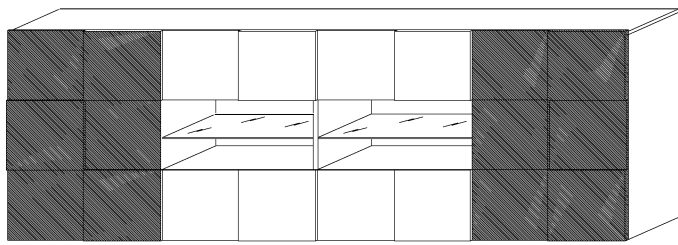



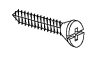


6



7



T		<b>x2</b>	L3		4x18 mm.	<b>x2</b>
---	--	-----------	----	--	----------	-----------

